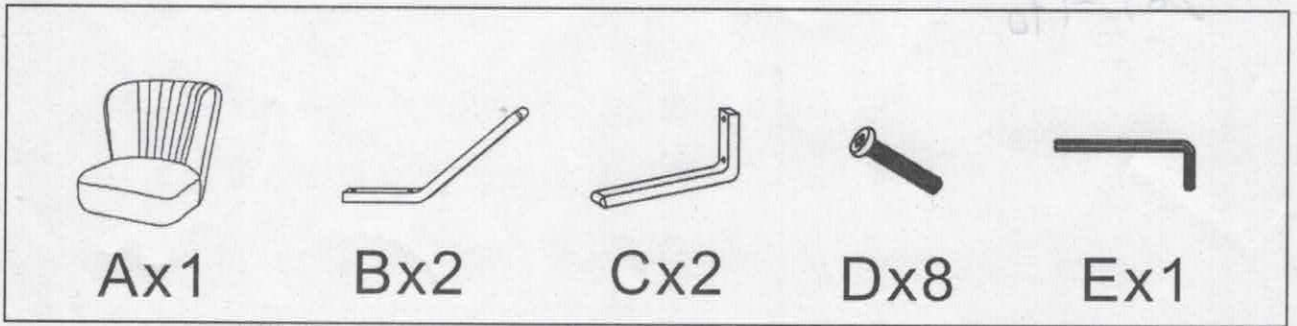
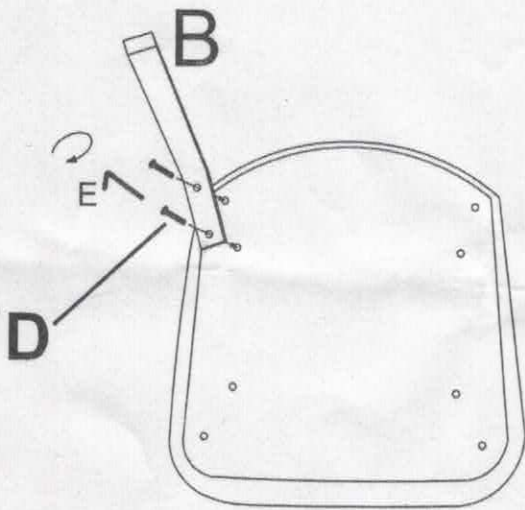


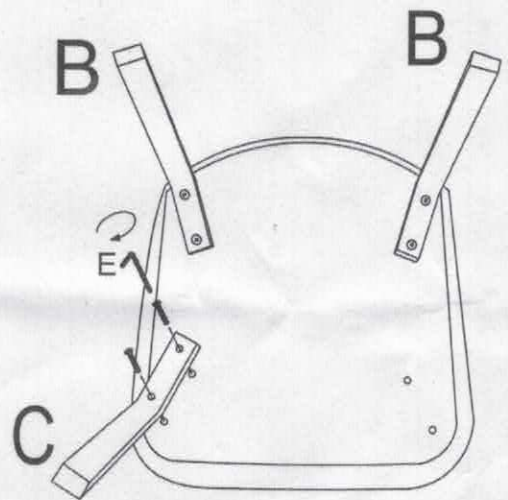
Assembly Instruction



1



2



3

